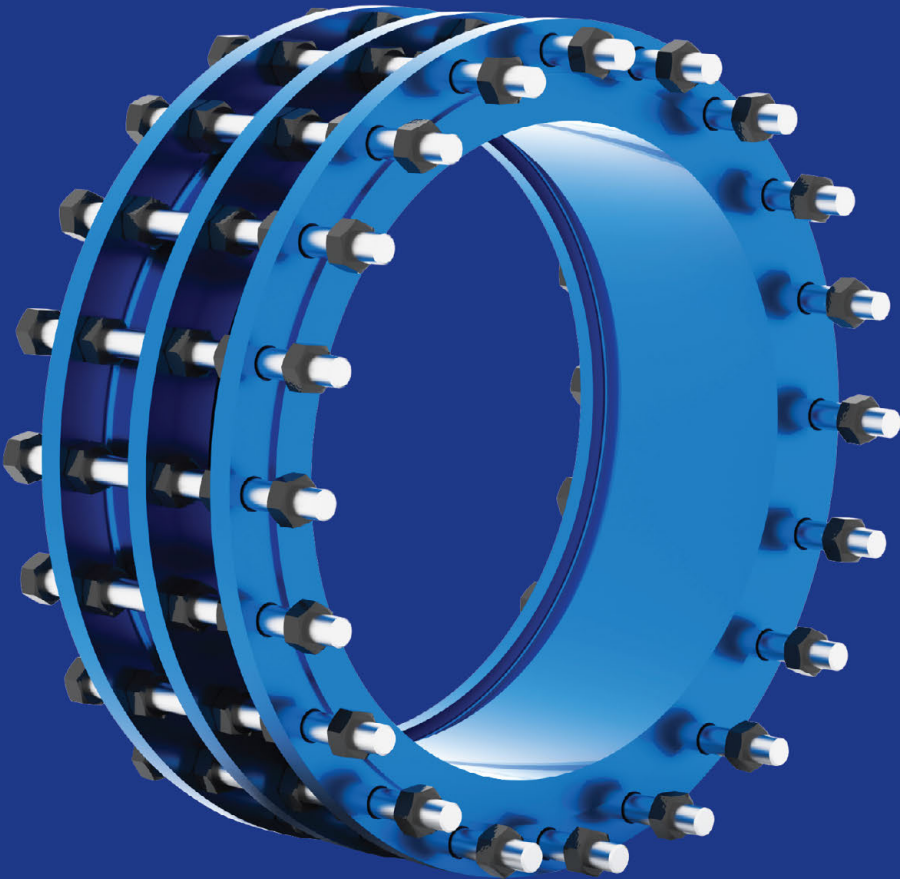


No. 9810

# Dismantling Joints

DN 50 – 2500, PN 10 | PN 40





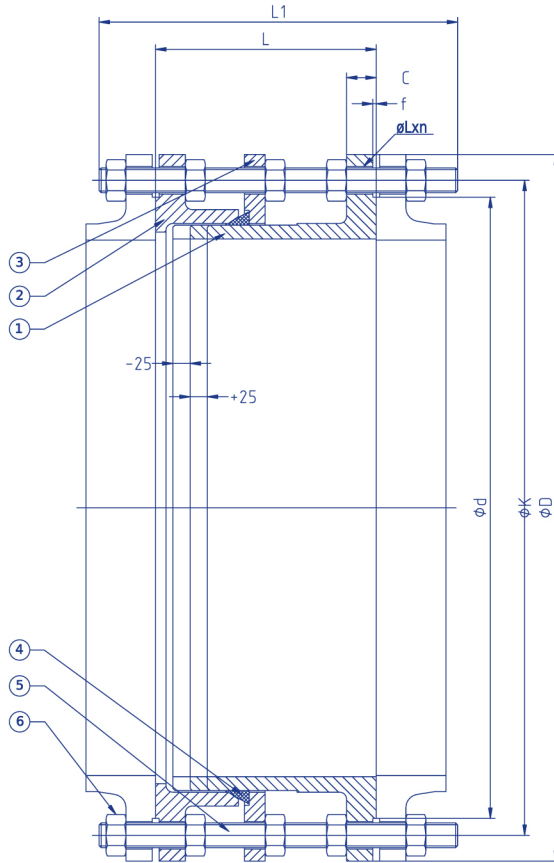
# Dismantling Joints

DN 50 – 2500, PN 10 | PN 40

Disassembly parts are the equipment that provides ease of assembly and disassembly when valves are used in pipelines.

- Rigid Type
- Telescopic Type
- Flange Adapter
- Flexible Coupling
- Flanged Strainer Basket

# Rigid Type Dismantling Joints



Part No	Part Name	Material
1	Flanged pipe-long	Ductile Iron EN-GJS-400-15
2	Flanged pipe-short	Ductile Iron EN-GJS-400-15
3	Retaining Flange	Steel S235JR
4	Sealing Ring	EPDM
5	Stud Bolt	Steel - Galvanized
6	Nut	Steel - Galvanized

\*Please contact us for other material requests.

**PN-10**
**Technical Details**

DN	PN	ØD	ØK	Ød	C	f	ØLxn	L	L1
80	10	200	160	132	19	3	19x8	200	330
100	10	220	180	156	19	3	19x8	200	330
125	10	250	210	184	19	3	19x8	200	330
150	10	285	240	211	19	3	23x8	200	330
200	10	340	295	266	20	3	23x8	220	330
250	10	395	350	319	22	3	23x12	220	360
300	10	445	400	370	24,5	4	23x12	230	360
350	10	505	460	429	24,5	4	23x16	230	360
400	10	580	515	480	24,5	4	28x16	230	370
450	10	615	565	530	25,5	4	28x20	250	390
500	10	670	620	582	26,5	4	28x20	260	390
600	10	780	725	682	30	5	31x20	260	410
700	10	895	840	794	32,5	5	31x24	260	410
800	10	1015	950	901	35	5	34x24	290	460
900	10	1115	1050	1001	38	5	34x28	290	460
1000	10	1230	1160	1112	40	5	34x28	290	500
1100	10	1340	1270	1218	42,5	5	37x32	300	480
1200	10	1455	1380	1328	45	5	41x32	320	520
1300	10	1585	1490	1432	59	5	44x32	370	630
1400	10	1675	1590	1530	46	5	44x36	360	560
1500	10	1820	1700	1640	60	5	44x36	380	590
1600	10	1915	1820	1750	49	5	50x40	390	600
1700	10	2030	1920	1850	68	5	50x44	445	750
1800	10	2125	2020	1950	52	5	50x44	450	750
2000	10	2325	2230	2150	55	5	50x48	450	750
2200	10	2555	2440	2370	65	5	57x52	450	750
2400	10	2760	2650	2570	65	6	57x56	450	750
2500	10	2860	2750	2670	65	6	57x56	450	750

\*Please contact us for other diameters and pressure values.

**PN-16**
**Technical Details**

DN	PN	ØD	ØK	Ød	C	f	ØLxn	L	L1
80	16	200	160	132	19	3	19x8	200	330
100	16	220	180	156	19	3	19x8	200	330
125	16	250	210	184	19	3	19x8	200	330
150	16	285	240	211	19	3	23x8	200	330
200	16	340	295	266	20	3	23x12	220	330
250	16	405	355	319	22	3	28x12	230	370
300	16	460	410	370	24,5	4	28x12	250	410
350	16	520	470	429	26,5	4	28x16	260	410
400	16	580	525	480	28	4	31x16	270	430
450	16	640	585	548	30	4	31x20	270	430
500	16	715	650	609	31,5	4	34x20	280	440
600	16	840	770	720	36	5	37x20	300	500
700	16	910	840	794	39,5	5	37x24	300	500
800	16	1025	950	901	43	5	41x24	320	520
900	16	1125	1050	1001	46,5	5	41x28	320	520
1000	16	1255	1170	1112	50	5	44x28	340	560
1100	16	1355	1270	1218	53,5	5	44x32	340	560
1200	16	1485	1390	1328	57	5	50x32	360	600
1300	16	1585	1490	1432	59	5	50x32	370	630
1400	16	1685	1590	1530	60	5	50x36	380	630
1500	16	1820	1710	1640	60	5	57x36	410	700
1600	16	1930	1820	1750	65	5	57x40	400	700
1700	16	2030	1920	1850	68	5	57x44	445	750
1800	16	2130	2020	1950	70	5	57x44	450	750
2000	16	2345	2230	2150	75	5	62x48	460	775
2200	16	2555	2440	2360	80	5	62x52	470	775
2500	16	2890	2750	2670	76	6	60x60	470	775

\*Please contact us for other diameters and pressure values.

## PN-25

### Technical Details

DN	PN	ØD	ØK	Ød	C	f	ØLxn	L	L1
80	25	200	160	132	19	3	19x8	200	330
100	25	235	190	156	19	3	23x8	220	340
125	25	270	220	184	19	3	28x8	220	370
150	25	300	250	211	20	3	28x8	230	370
200	25	360	310	274	22	3	28x12	230	370
250	25	425	370	330	24,5	3	31x12	250	410
300	25	485	430	389	27,5	4	31x16	250	410
350	25	555	490	448	30	4	34x16	270	440
400	25	620	550	503	32	4	37x16	290	500
450	25	670	600	548	34,5	4	37x20	280	480
500	25	730	660	609	36,5	4	37x20	300	500
600	25	845	770	720	42	5	41x20	320	520
700	25	960	875	820	46,5	5	44x24	340	530
800	25	1085	990	928	51	5	50x24	360	600
900	25	1185	1090	1028	55	5	50x28	380	630
1000	25	1320	1210	1140	60	5	87x28	400	650
1200	25	1530	1420	1350	69	5	57x32	450	750
1400	25	1755	1640	1560	74	5	62x36	490	830
1600	25	1975	1860	1780	81	5	62x40	470	800
2000	25	2425	2300	2210	95	5	70x48	540	950
2500	25	3015	2840	2720	92	6	68x60	540	920

\*Please contact us for other diameters and pressure values.

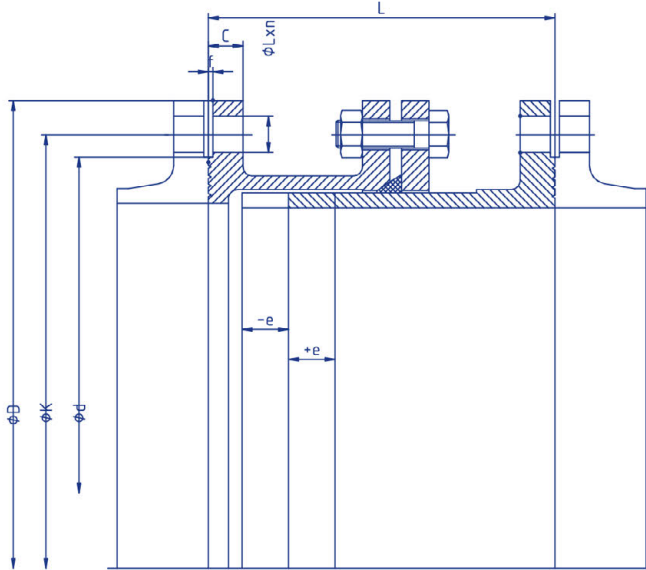
## PN-40

### Technical Details

DN	PN	ØD	ØK	Ød	C	f	ØLxn	L	L1
100	40	235	190	156	19	3	23x8	220	340
125	40	270	220	184	23,5	3	28x8	220	370
150	40	300	250	211	26	3	28x8	230	370
200	40	375	320	284	30	3	31x12	230	370
250	40	450	385	345	34,5	3	34x12	270	450
300	40	515	450	409	39,5	4	34x16	270	460
350	40	580	510	465	44	4	37x16	270	480
400	40	660	585	535	48	4	41x16	330	560
500	40	755	670	615	52	4	44x20	320	550
600	40	890	795	735	58	5	50x20	390	650
700	40	995	900	840	64,5	5	50x24	370	630
800	40	1140	1030	960	72	5	57x24	410	720
900	40	1250	1140	1070	80	4,5	57x28	460	790
1000	40	1360	1250	1180	85	5	57x28	460	790
1200	40	1575	1460	1380	95	5	62x32	500	860

\*Please contact us for other diameters and pressure values.

# Telescopic Type Dismantling Joints

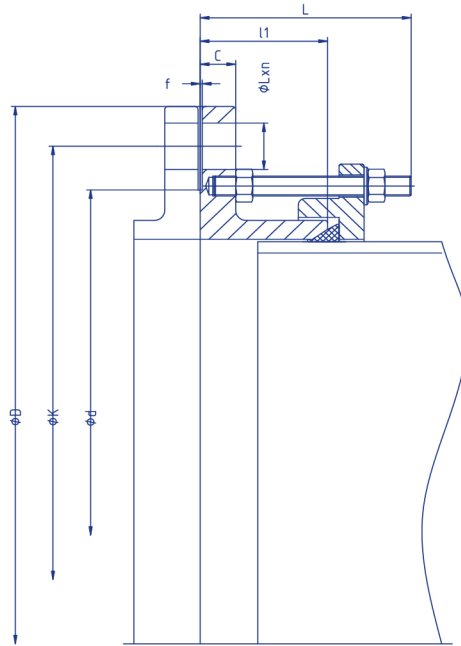


## Technical Details

DN	L1	e
100	300	40
125	300	40
150	300	40
200	300	40
250	350	50
300	350	50
350	350	50
400	380	50
450	380	50
500	380	50
600	380	50
700	380	50
800	380	50
900	380	50
1000	380	50
1200	400	50
1400	400	50
1600	400	50
1800	450	50
2000	450	50
2200	450	50

\*Please contact us for other material requests.

# Flange Adapter Dismantling Joints



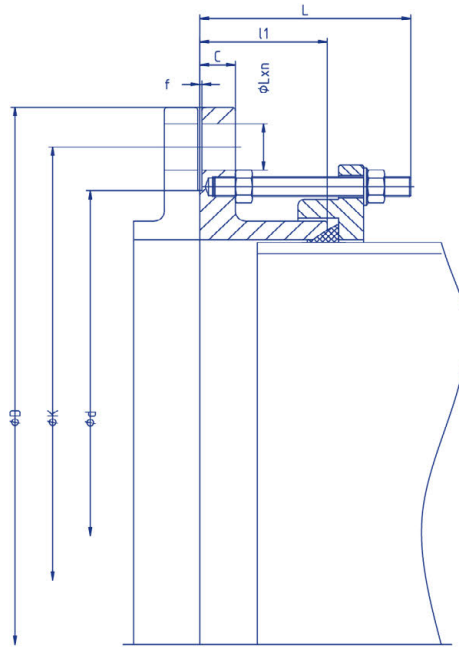
## PN-10

### Technical Details

DN	PN	ØD	ØK	Ød	C	f	ØLxn	L	L1	Pipe Diameter
50	10	165	125	99	19	3	19x4	105	75	60,3
65	10	185	145	118	19	3	19x4	105	75	76,1
80	10	200	160	132	19	3	19x8	110	75	89
100	10	250	180	156	19	3	19x8	120	75	114
125	10	250	210	184	19	3	19x8	135	75	140
150	10	285	240	211	19	3	23x8	135	75	168
200	10	340	295	266	20	3	23x8	135	75	219
250	10	395	350	319	22	3	23x12	140	75	273
300	10	445	400	370	25	4	23x12	135	75	324
350	10	605	460	429	25	4	23x16	150	85	355,6
400	10	565	515	480	25	4	28x16	150	100	407
500	10	670	620	582	27	4	28x20	165	100	508
600	10	780	725	682	30	5	31x20	165	100	610
700	10	895	840	794	33	5	31x24	165	100	711
800	10	1015	950	901	35	5	34x24	165	100	812,8
900	10	1115	1050	1001	38	5	34x28	180	115	914,4
1000	10	1230	1160	1112	40	5	37x28	180	115	1016

\*Please contact us for other diameters and pressure values.

# Flange Adapter Dismantling Joints



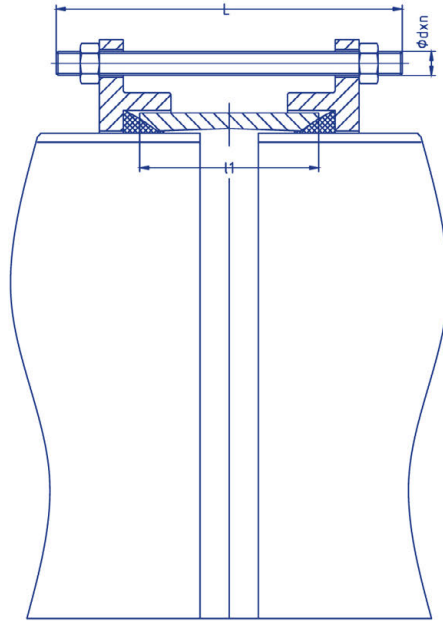
## PN-16

### Technical Details

DN	PN	ØD	ØK	Ød	C	f	ØLxn	L	L1	Pipe Diameter
50	16	165	125	99	19	3	19x4	105	75	60,3
65	16	185	145	118	19	3	19x4	105	75	76,1
80	16	200	160	132	19	3	19x8	110	75	89
100	16	220	180	156	19	3	19x8	120	75	114
125	16	250	210	184	19	3	19x8	135	75	140
150	16	285	240	211	19	3	23x8	135	75	168
200	16	340	295	266	20	3	23x12	135	75	219
250	16	405	355	319	22	3	28x12	140	75	273
300	16	460	410	370	25	4	28x12	135	75	324
350	16	520	470	429	27	4	28x16	150	85	355,6
400	16	580	525	480	28	4	31x16	150	100	407
500	16	715	650	609	32	4	34x20	165	100	508
600	16	840	770	720	36	5	37x20	165	100	610
700	16	910	840	794	40	5	37x24	165	100	711
800	16	1025	950	901	43	5	41x24	165	100	812,8
900	16	1125	1050	1001	47	5	41x28	180	115	914,4
1000	16	1255	1170	1112	40	5	44x28	180	115	1016

\*Please contact us for other diameters and pressure values.

# Flexible Coupling Dismantling Joints

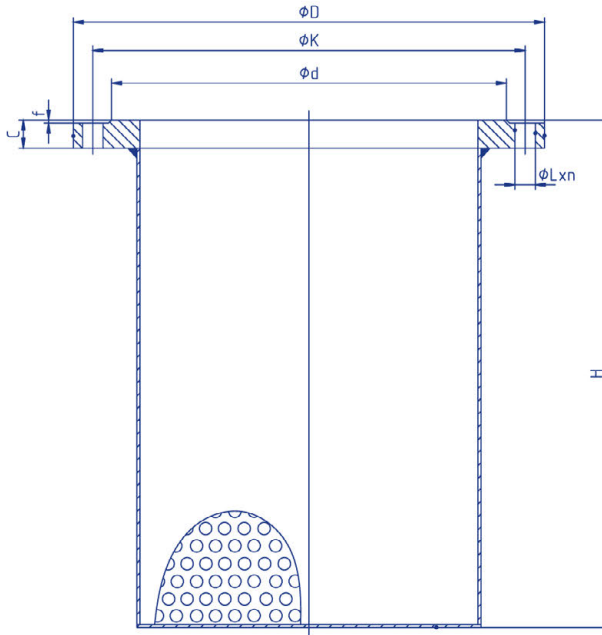


## Technical Details

DN	L	L1	dxn
80	190	100	M12x4
100	190	100	M12x4
125	190	100	M12x4
150	210	100	M16x4
200	210	100	M16x4
250	210	100	M16x6
300	210	100	M16x6
350	270	150	M16x8
400	270	150	M16x8
450	260	150	M16x10
500	270	150	M16x10
600	270	150	M16x10
700	270	150	M16x12
800	290	150	M20x14
900	290	150	M20x14
1000	350	180	M20x14
1200	350	180	M20x16
1400	350	180	M20x20
1500	350	180	M20x20
1600	350	180	M24x24

\*Please contact us for other diameters and pressure values.

# Flanged Strainer Basket Dismantling Joints

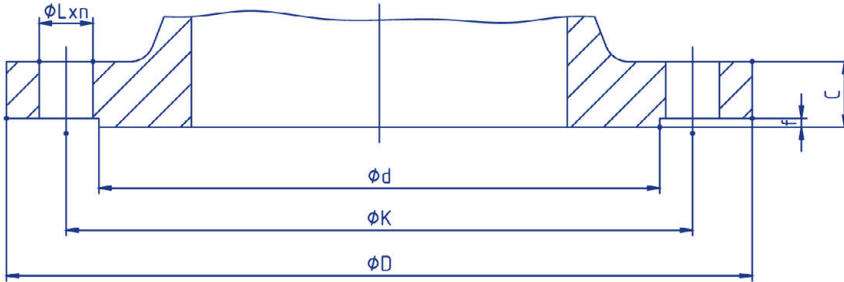


## Technical Details

DN	$\phi D$	$\phi K$	$\phi d$	C	f	$\phi L \times n$	H
100	220	180	156	19	3	19x8	150
125	250	210	184	19	3	19x8	190
150	285	240	211	19	3	23x8	225
200	340	295	266	20	3	23x12	300
250	405	355	319	22	3	28x12	375
300	460	410	370	24,5	4	28x12	450
350	520	470	429	26,5	4	28x16	525
400	580	525	480	28	4	31x16	600
450	640	585	548	30	4	31x20	675
500	715	650	609	31,5	4	34x20	750
600	840	770	720	36	5	37x20	900

\*Please contact us for other diameters and pressure values.

# Flange Dimensions Dismantling Joints



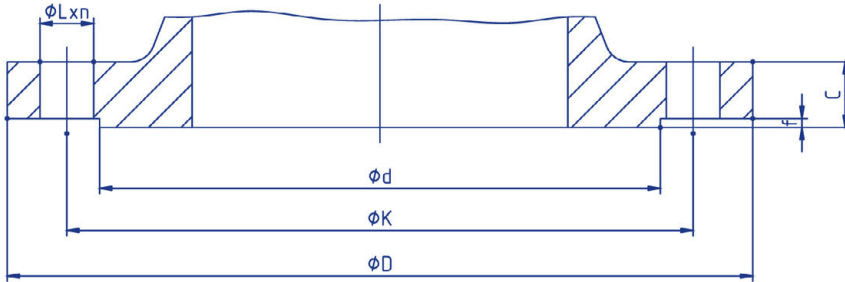
## PN-10

### Technical Details

DN	PN	$\phi D$	$\phi K$	$\phi d$	C	f	$\phi L_{xn}$
50	10	165	125	99	19	3	19x4
65	10	185	145	118	19	3	19x4
80	10	200	160	132	19	3	19x8
100	10	220	180	156	19	3	19x8
125	10	250	210	184	19	3	19x8
150	10	285	240	211	19	3	23x8
200	10	340	295	266	20	3	23x8
250	10	405	350	319	22	3	23x12
300	10	460	400	370	24,5	4	23x12
350	10	505	460	429	24,5	4	23x16
400	10	565	515	480	24,5	4	28x16
450	10	615	565	530	25,5	4	28x20
500	10	670	620	582	26,5	4	28x20
600	10	780	725	682	30	5	31x20
700	10	895	840	794	32,5	5	31x24
800	10	1015	950	901	35	5	34x24
900	10	1115	1050	1001	37,5	5	34x28
1000	10	1230	1160	1112	40	5	37x28
1100	10	1355	1270	1218	53,5	5	37x32
1200	10	1455	1380	1328	45	5	41x32
1300	10	1585	1490	1432	59	5	42x32
1400	10	1675	1590	1530	46	5	44x36
1500	10	1785	1700	1640	47	5	44x36
1600	10	1915	1820	1750	49	5	50x40
1800	10	2115	2020	1950	52	5	50x44
2000	10	2325	2230	2150	55	5	50x48
2200	10	2555	2440	2370	65	6	57x52
2400	10	2760	2650	2570	65	6	56x56
2500	10	2880	2750	2670	65	6	56x56

\*Please contact us for other diameters and pressure values.

# Flange Dimensions Dismantling Joints



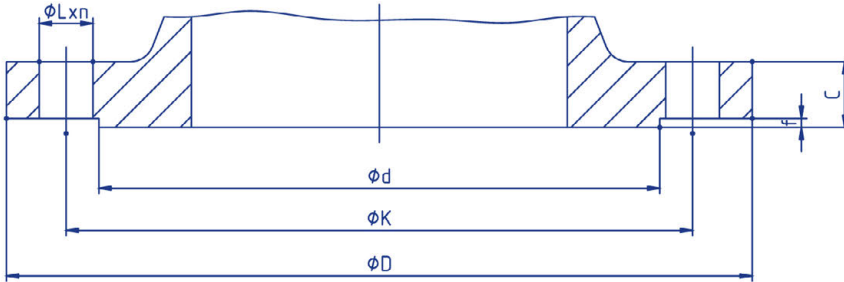
## PN-16

### Technical Details

DN	PN	$\phi D$	$\phi K$	$\phi d$	C	f	$\phi L_{xn}$
50	16	165	125	99	19	3	19x4
65	16	185	145	118	19	3	19x4
80	16	200	160	132	19	3	19x8
100	16	220	180	156	19	3	19x8
125	16	250	210	184	19	3	19x8
150	16	285	240	211	19	3	23x8
200	16	340	295	266	20	3	23x12
250	16	405	355	319	22	3	28x12
300	16	460	410	370	24,5	4	28x12
350	16	520	470	429	26,5	4	28x16
400	16	580	525	480	28	4	31x16
450	16	640	585	548	30	4	31x20
500	16	715	650	609	31,5	4	34x20
600	16	840	770	720	36	5	37x20
700	16	910	840	794	39,5	5	37x24
800	16	1025	950	901	43	5	41x24
900	16	1125	1050	1001	46,5	5	41x28
1000	16	1255	1170	1112	50	5	44x28
1100	16	1355	1270	1218	53,5	5	44x32
1200	16	1485	1390	1328	57	5	50x32
1300	16	1585	1490	1432	59	5	50x32
1400	16	1685	1590	1530	60	5	50x36
1500	16	1820	1710	1640	62,5	5	57x36
1600	16	1930	1820	1750	65	5	57x40
1800	16	2130	2020	1950	70	5	57x44
2000	16	2345	2230	2150	75	5	62x48
2200	16	2555	2440	2360	80	6	62x52
2400	16	2760	2650	2570	64	6	-
2500	16	2890	2750	2870	90	6	-

\*Please contact us for other diameters and pressure values.

# Flange Dimensions Dismantling Joints



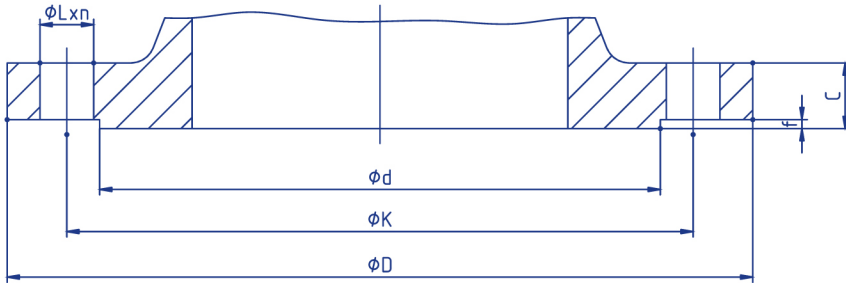
## PN-25

### Technical Details

DN	PN	$\phi D$	$\phi K$	$\phi d$	c	f	$\phi L_{xn}$
50	25	165	125	99	19	3	19x4
65	25	185	145	118	19	3	19x4
80	25	200	160	132	19	3	19x8
100	25	235	190	156	19	3	23x8
125	25	270	220	184	19	3	28x8
150	25	300	250	211	20	3	28x8
200	25	360	310	274	22	3	28x12
250	25	425	370	330	24,5	3	31x12
300	25	485	430	389	27,5	4	31x16
350	25	555	490	448	30	4	34x16
400	25	620	550	503	32	4	37x16
450	25	670	600	548	34,5	4	37x20
500	25	730	660	609	36,5	4	37x20
600	25	845	770	720	42	5	41x20
700	25	960	875	820	46,5	5	44x24
800	25	1085	990	928	51	5	50x24
900	25	1185	1090	1028	55,5	5	50x28
1000	25	1320	1210	1140	60	5	57x28
1100	25	1420	1310	1240	64,5	5	57x32
1200	25	1530	1420	1350	69	5	57x32
1400	25	1755	1640	1560	74	5	62x36
1500	25	1885	1750	1678	77,5	5	62x36
1600	25	1975	1860	1780	81	5	62x40
1800	25	2195	2070	1985	88	5	70x44
2000	25	2425	2300	2210	95	5	70x48
2500	25	3015	2840	2720	92	6	68x60

\*Please contact us for other diameters and pressure values.

# Flange Dimensions Dismantling Joints



## PN-40

### Technical Details

DN	PN	$\phi D$	$\phi K$	$\phi d$	C	f	$\phi L_{xn}$
50	40	165	125	99	19	3	19x4
65	40	185	145	118	19	3	19x4
80	40	200	160	132	19	3	19x8
100	40	225	190	156	19	3	23x8
125	40	270	220	184	23,5	3	28x8
150	40	300	250	211	26	3	28x8
200	40	375	320	284	30	3	31x12
250	40	450	385	345	34,5	3	34x12
300	40	515	450	409	39,5	4	34x16
350	40	580	510	465	44	4	37x16
400	40	660	585	535	48	4	41x16
450	40	685	610	560	49	4	41x20
500	40	755	670	615	52	4	44x20
600	40	890	795	735	58	5	50x20
700	40	995	900	840	64	5	50x24
800	40	1140	1030	960	72	5	57x24
900	40	1250	1140	1070	80	5	57x28
1000	40	1360	1250	1180	88	5	57x28
1200	40	1575	1460	1380	95	5	62x32
1400	40	1795	1680	160	105	5	62x36
1600	40	2025	1900	1815	120	5	70x40
1800	40	2240	2110	2010	165	5	70x48

\*Please contact us for other diameters and pressure values.

# Material Features and Standard Comparison

## Steel

Material	Material No	DN	British	America	Japan
S 235JR	1.0037	1.0037 (St 37-2)	37/23 HR	1015 (SAE)	STKM 12A

### Chemical Analysis

C		Mn		P		S		N	
min. %	max. %	min. %	max. %	min. %	max. %	min. %	max. %	min. %	max. %
0	0,17	0	1,40	0	0,045	0	0,045	0	0,009

## Stainless Steels

Material	Material No	DN	British	America	Japan
X20Cr13	1.4021	X20Cr13	420 S 37	420 (AISI)	SUS 420J1

### Chemical Analysis

C		Si		Mn		P		S		Cr	
0,16	0,25	0	1,00	0	1,50	0	0,040	0	0,015	12,0	14,0

Material	Material No	DN	British	America	Japan
X5CrNi18-10	1.4301	X5CrNi18-10	304 S 15	304 (AISI)	SUS 304

### Chemical Analysis

C		Si		Mn		P		S		Cr		Ni		N	
min. %	max. %	min. %	max. %	min. %	max. %	min. %	max. %	min. %	max. %	min. %	max. %	min. %	max. %	min. %	max. %
0	0,070	0	1,0	0	2,00	0	0,045	0	0,015	17,0	19,5	8,00	10,5	0	0,11

Material	Material No	DN	British	America	Japan
X5CrNiMo17-12-2	1.4401	X5CrNiMo17-12-2	316 S 16	316 (AISI)	SUS 316

### Chemical Analysis

C		Si		Mn		P		S		Cr		Mo		Ni		N	
min. %	max. %	min. %	max. %	min. %	max. %	min. %	max. %	min. %	max. %	min. %	max. %	min. %	max. %	min. %	max. %	min. %	max. %
0	0,070	0	1,00	0	2,00	0	0,045	0	0,015	16,5	18,5	2,0	2,50	10,0	13,0	0	0,11

Material	Material No	DN	British	America	Japan
X5CrNiMoN22-5-3	1.4462	X5CrNiMoN22-5-3	318 S 13	2205	SUS 329J3L

### Chemical Analysis

C		Si		Mn		P		S		Cr		Mo		Ni		N	
min. %	max. %	min. %	max. %	min. %	max. %	min. %	max. %	min. %	max. %	min. %	max. %	min. %	max. %	min. %	max. %	min. %	max. %
0	0,030	0	1,00	0	2,00	0	0,035	0	0,015	21,0	23,0	2,50	3,50	4,50	6,50	0,10	0,22

## Ductile Iron Castings

Material	Material No	DN	Tensile Tension N / mm min.	Yield Tension N / mm min.	Elongation % min.
EN-GJS-400-15	EN-JS 1030	GGG 40	400	250	15
EN GJS-500-7	EN-JS 1050	GGG 50	500	320	7

## Cast Iron Castings

Material	Material No	DN	Tensile Tension N / mm min.
EN-GJL-250	EN-JL 1040	GG 25	250-350

# Bolt Torque Information

Bolt Class		3.6	4.6	4.8	5.6	5.8	6.8	8.8	10.9	12.9
Bolt Size	Key Openings	Torque Nm.	Torque Nm.	Torque Nm.	Torque Nm.	Torque Nm.	Torque Nm.	Torque Nm.	Torque Nm.	Torque Nm.
M4	7	0.85	11	1.5	1.4	1.9	23	29	4.1	49
M5	9	1.7	2.2	3.0	2.8	3.7	4.5	6.0	8.5	10
M6	10	2.9	3.8	5.1	4.8	6.4	7.7	10	14	17
M8	13	7.0	9.3	12	12	16	19	25	35	41
M10	17	14	19	25	23	31	37	49	69	83
M12	19	24	32	43	40	54	65	86	120	145
M14	22	39	51	68	64	86	105	135	190	230
M16	24	59	79	105	98	130	155	210	295	355
M18	27	81	110	145	135	180	215	290	405	485
M20	30	115	155	205	190	255	305	410	580	690
M22	32	155	205	275	260	345	415	550	780	930
M24	36	200	265	350	330	440	530	710	1000	1200
M27	41	295	390	520	490	650	780	1050	1500	1800
M30	46	395	530	710	660	880	1050	1450	2000	2400
M33	50	540	720	960	900	1200	1450	1900	2700	3250
M36	55	690	920	1250	1150	1550	1850	2450	3450	4150
M39	60	920	1200	1600	1500	2000	2400	3200	4500	5400
M42	65	1100	1500	1950	1850	2450	2950	3950	5550	6650
M45	70	1400	1850	2450	2300	3100	3700	4950	6950	8350
M48	75	1700	2250	3000	2800	3750	4450	5950	8400	10100
M52	80	2150	2900	3850	3600	4800	5750	7650	10800	12900
M56	85	2700	3600	4800	4500	5950	7150	9550	13400	16100
M60	90	3350	4450	5950	5550	7400	8900	11900	16700	20000
M64	95	4000	5350	7150	6700	8950	10700	14300	20100	24100
M68	100	4850	6500	8650	8100	10800	13000	17300	24300	29100

Note: Torque values are for information.

\*Please contact us for other diameters and pressure values.